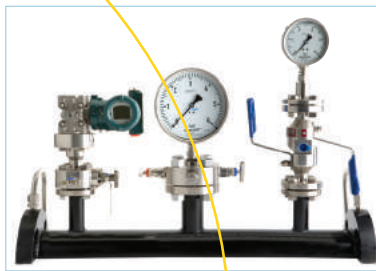


FLUID POWER & INSTRUMENTATION



Fluid Power & Instrumentation

Hydrasun's Fluid Power & Instrumentation solutions have been developed to support the industry's focus on improving production efficiency and reliability through the provision of bespoke high quality, high integrity solutions that optimise asset performance and maintenance requirements whilst reducing overall life cycle costs.

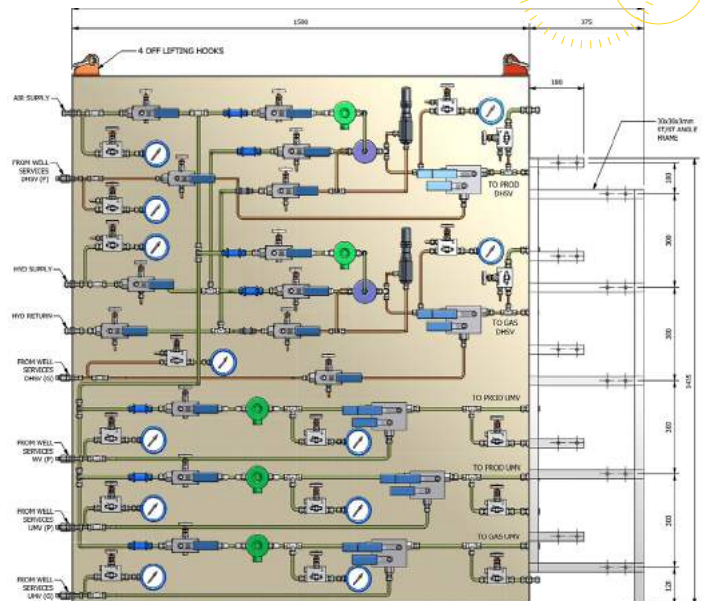
Through our Fluid Power & Instrumentation team we have the capability to design, specify, procure, manufacture and supply a range of instrumentation & hydraulic systems and solutions in line with industry standards and customer specific requirements.

Our integrated turnkey solutions which include dedicated project management from design to delivery, also encompass testing, installation and commissioning, adding significant value to customer's operations.

Pre-Assembled Solutions

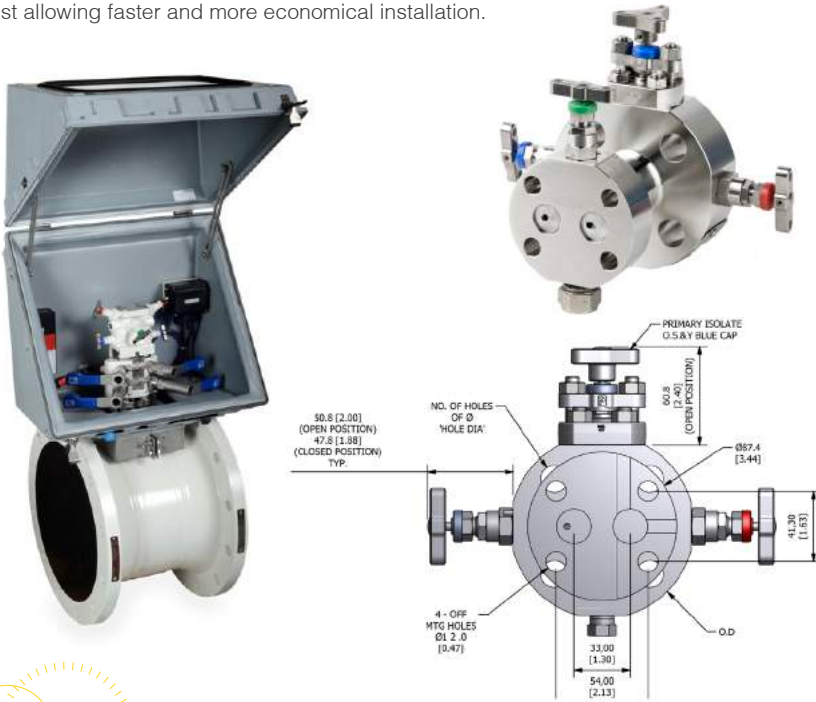
Fast track supply of bespoke panel and system solutions, for both topside and subsea applications, utilising innovative designs and product configurations to meet customer specific needs.

- Topside Umbilical Termination Units (TUTU's)
- Subsea Umbilical Termination Units (SUTU's)
- Hydraulic Power Units (HPU's)
- Corrosion Inhibitor Injection Systems
- Diver Interface Panels
- Gauge Panels
- Compressor Panels
- Wellhead Intervention Control Panels
- Auxiliary Back Pressure Units
- Chemical Injection Systems
- Grease Injection Systems



Instrumentation Hook-Up Solutions

Focused engineering support and project management that challenges traditional hook-up designs by introducing progressive field proven technologies that reduce system interfaces and potential leak paths whilst allowing faster and more economical installation.



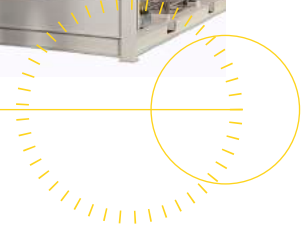
- Complete Instrument Hook-Up Assemblies
- Close Coupled Monoflange & Manifold Hook-Ups
- Wellhead Annulus API6A & 607 DBB Manifolds
- Flanged Solutions
- Pressure Gauge & Transmitter Assemblies
- Integrated Manifolds
- Populated Enclosures
- Air Distribution Manifolds



Commissioning, Testing & Site Service Solutions

Custom designed and manufactured commissioning, testing and site service equipment, for a large range of applications both onshore and offshore. These are available as Skid Mounted units or Mobile / Portable units together with associated specialist manpower if required.

- Stand-alone Flushing Rigs / Systems
- Stand-alone Test Stands / Pumps
- Integrated Flushing & Testing Rigs
- Nitrogen Generation Units
- Watermaker Units





Group Headquarters
Gateway Business Park
Moss Road
Aberdeen
AB12 3GQ

Tel: +44 (0)1224 618618
Fax: +44 (0)1224 618701
Email: fp@hydrasun.com

www.hydrasun.com

